



**U.S.A./CANADA**

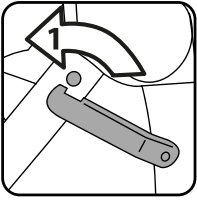
EN Instructions for use

ES Instrucciones de uso

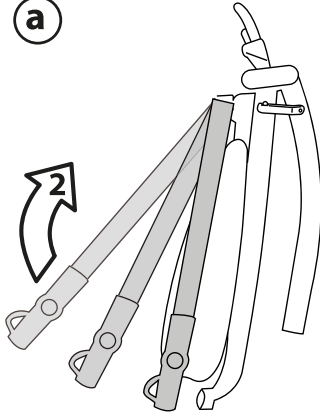
FR Notice d'emploi

**book cross**

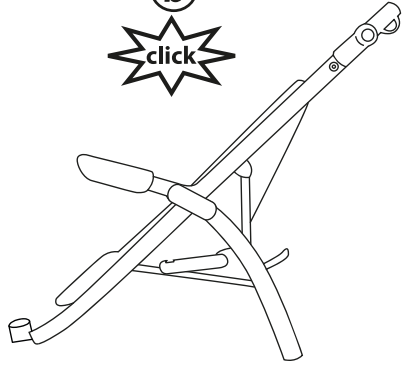
1



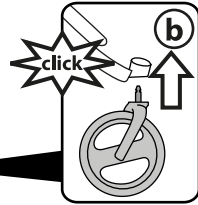
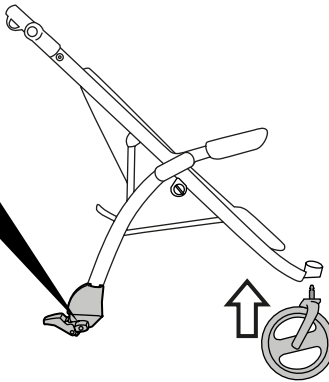
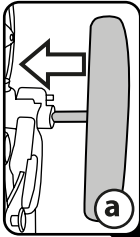
a



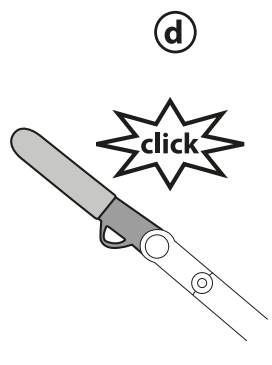
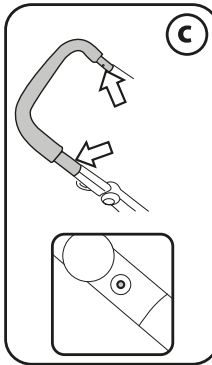
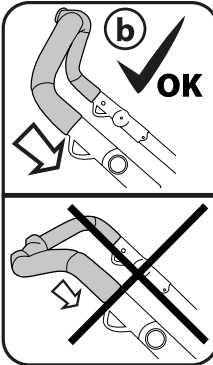
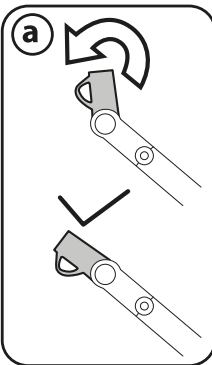
b



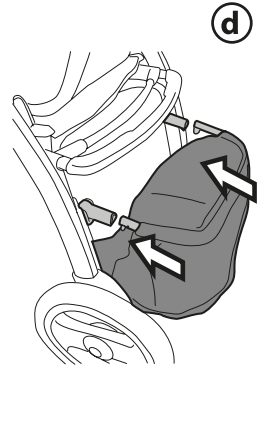
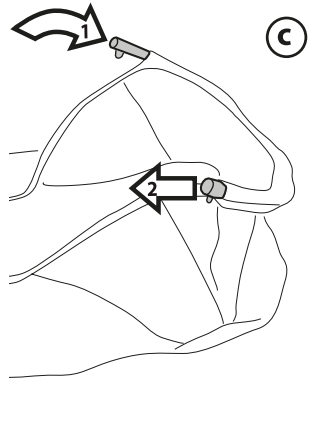
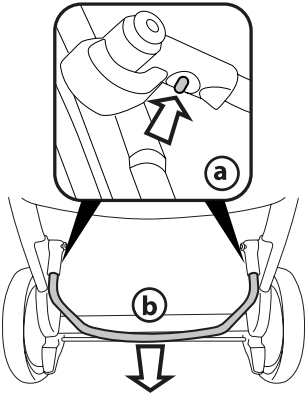
2



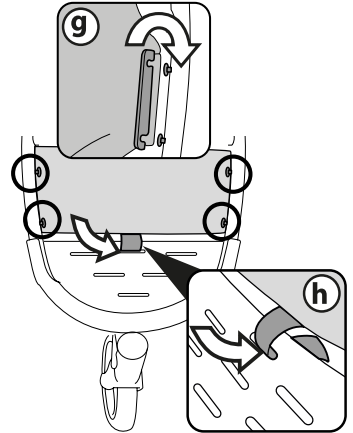
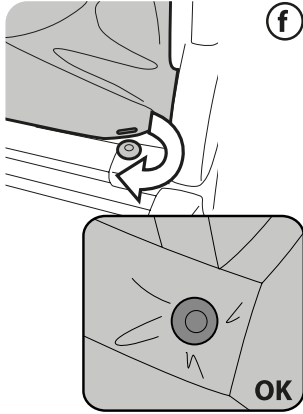
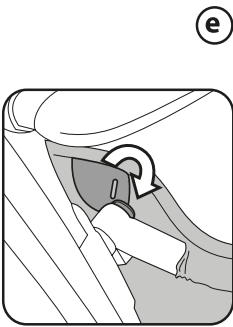
3



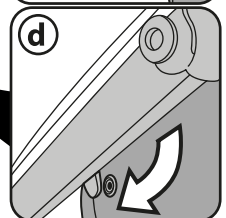
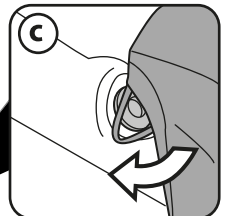
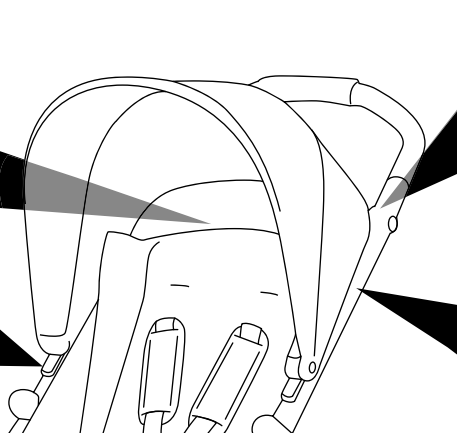
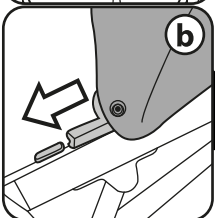
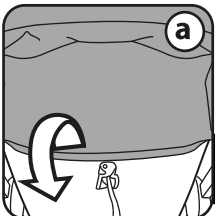
4



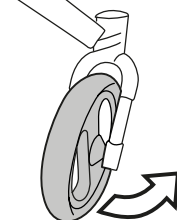
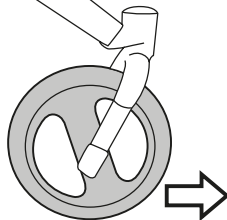
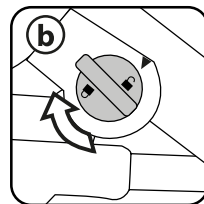
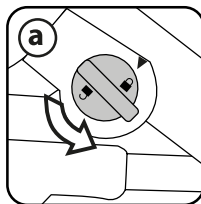
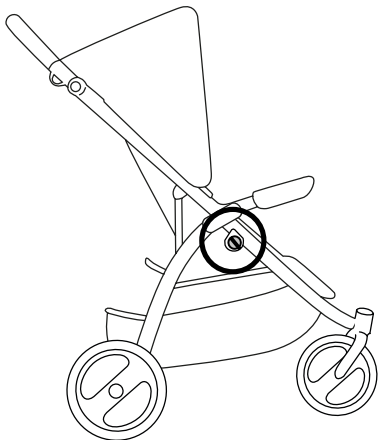
5



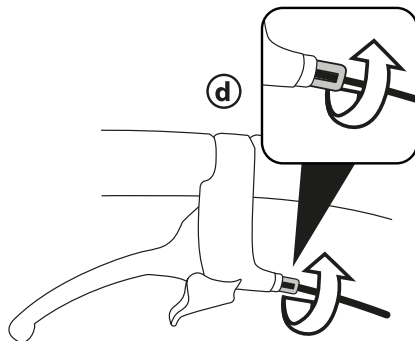
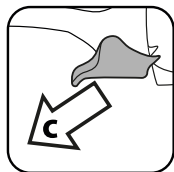
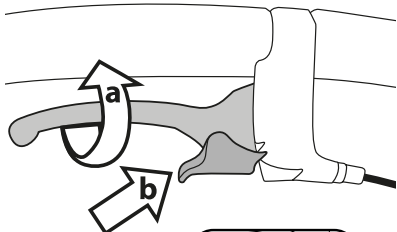
6



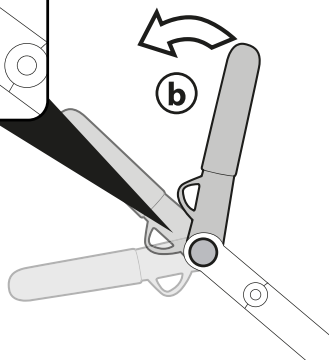
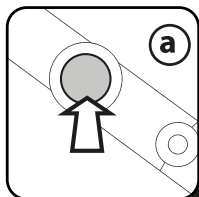
7



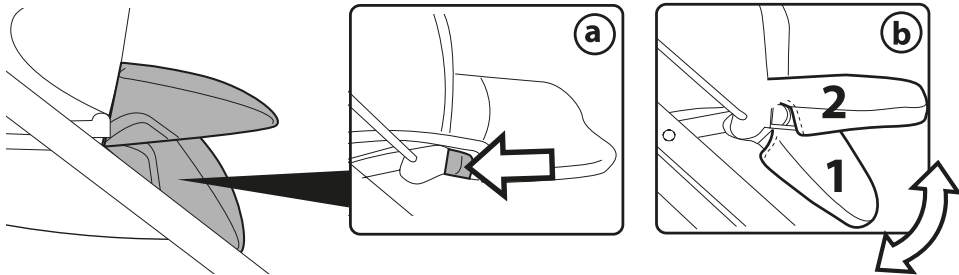
8



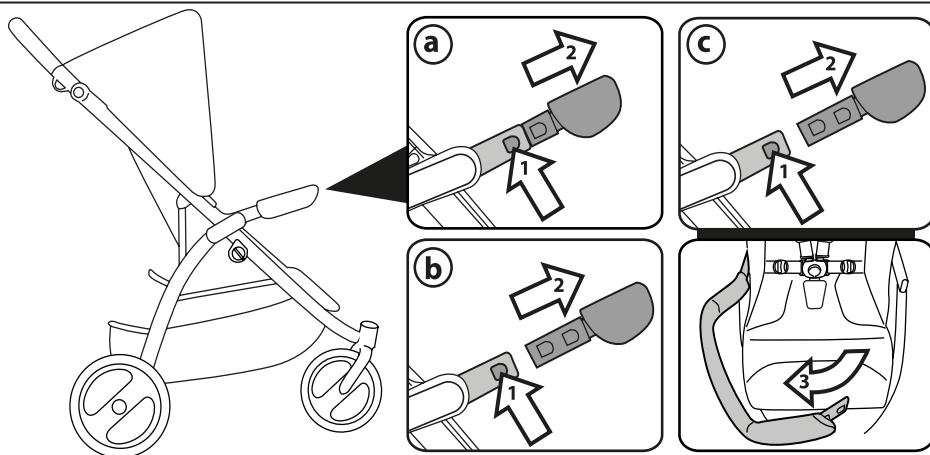
9



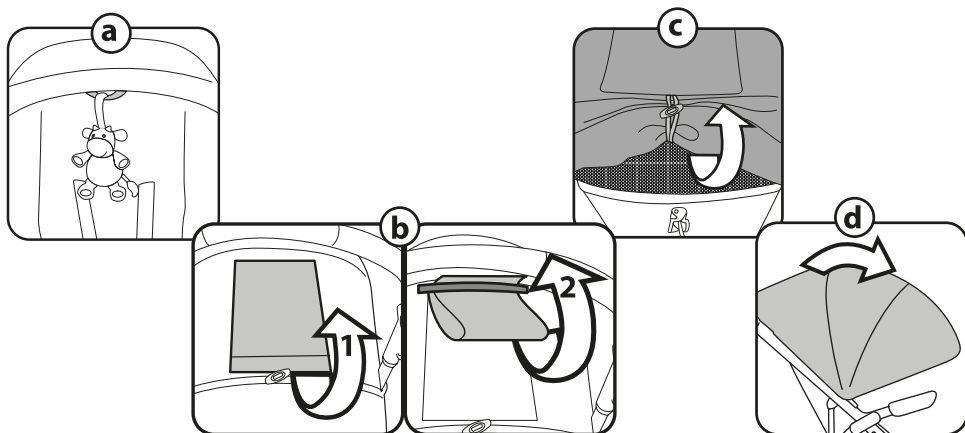
10



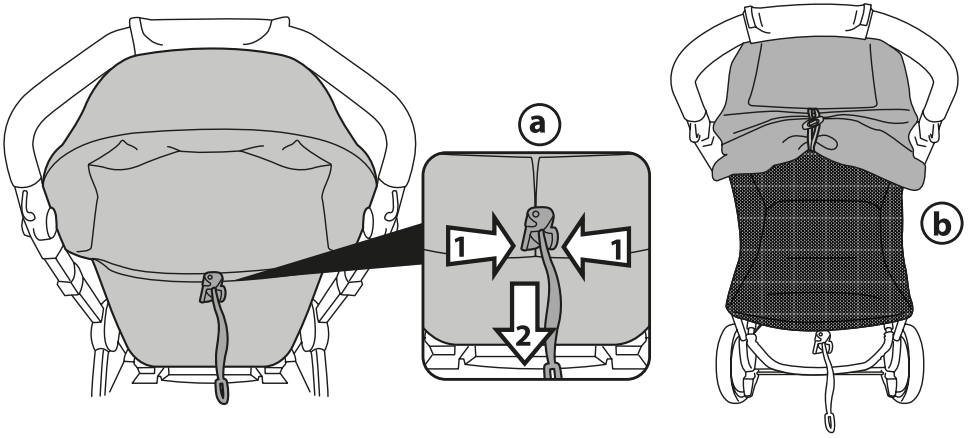
11



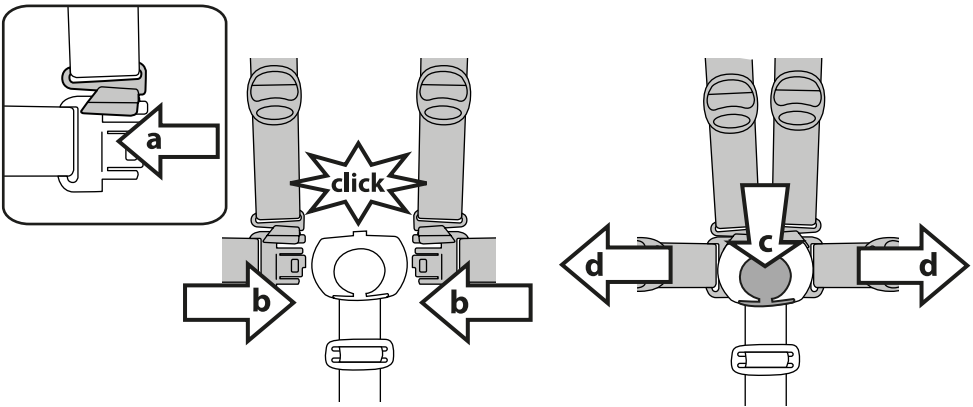
12



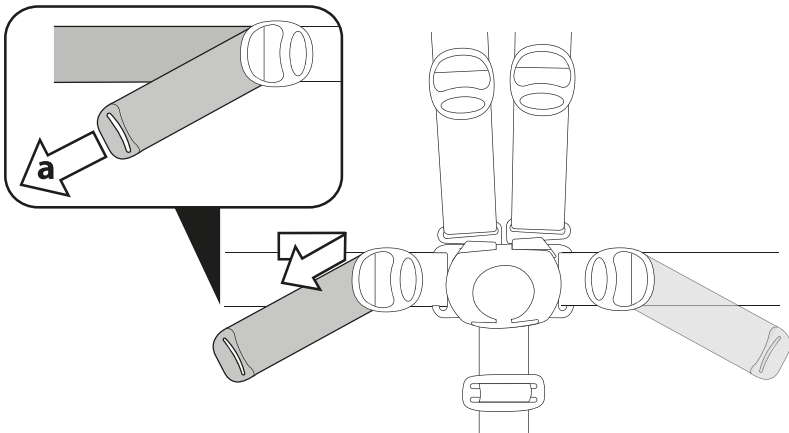
13



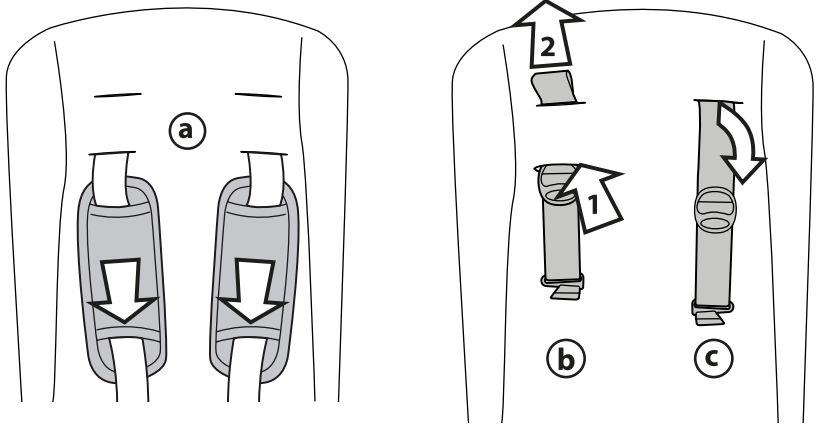
14



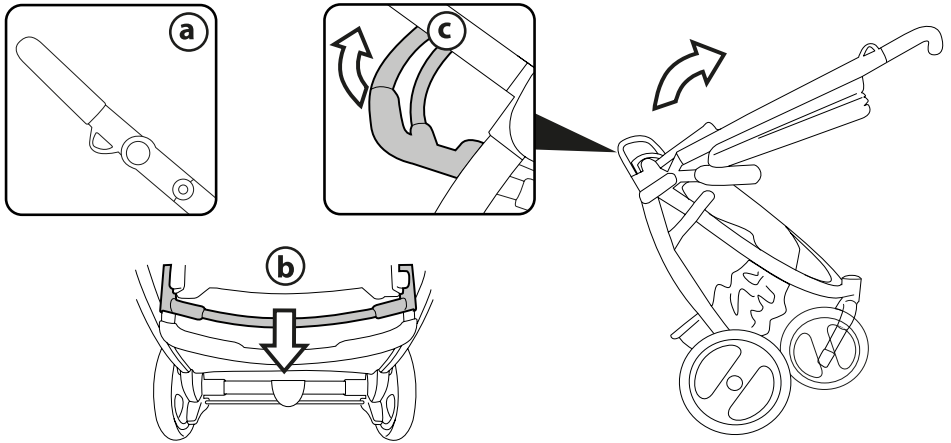
15



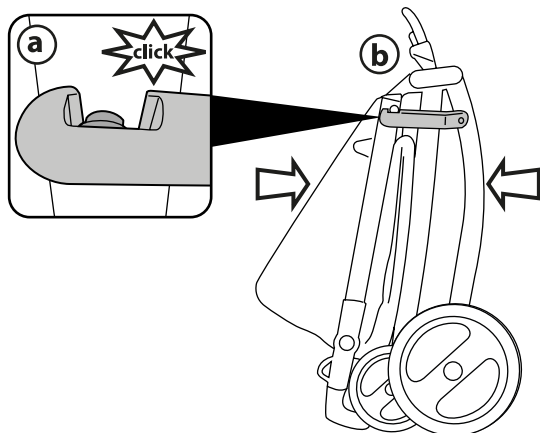
16



17

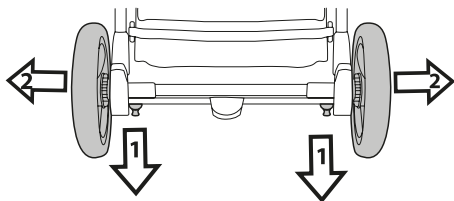


18

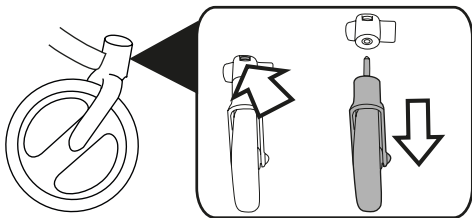


19

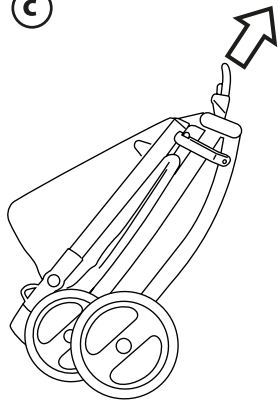
a



b

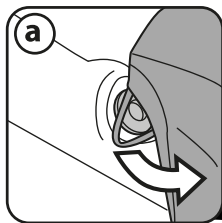


c

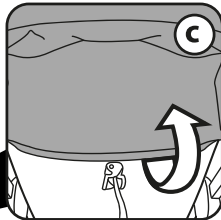
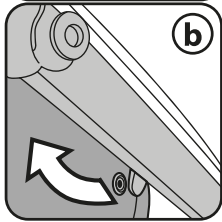


20

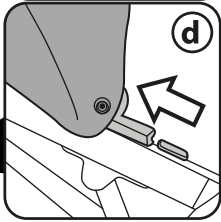
a



b

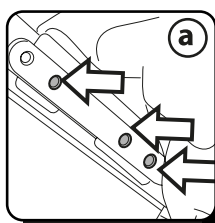


d

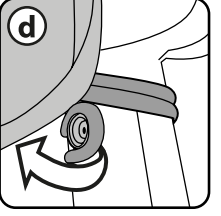
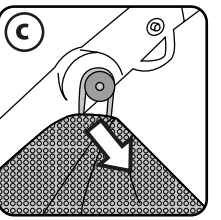
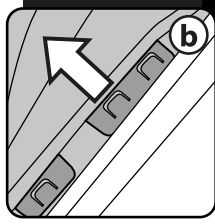


21

a

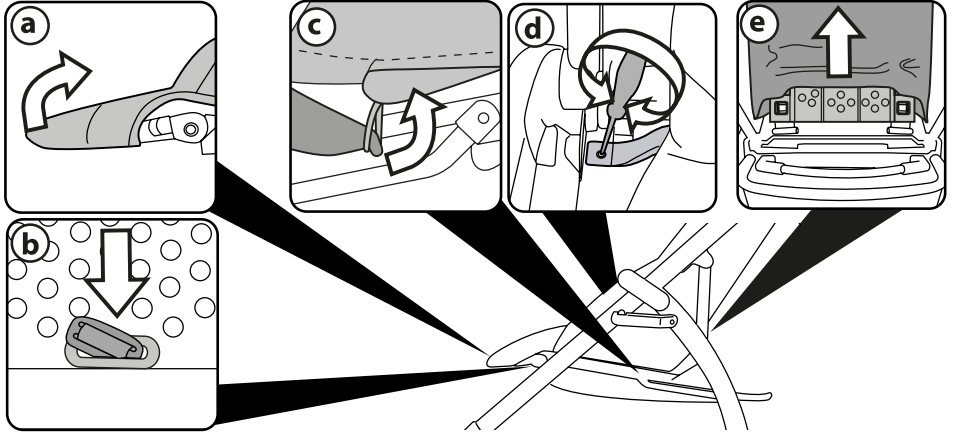


b

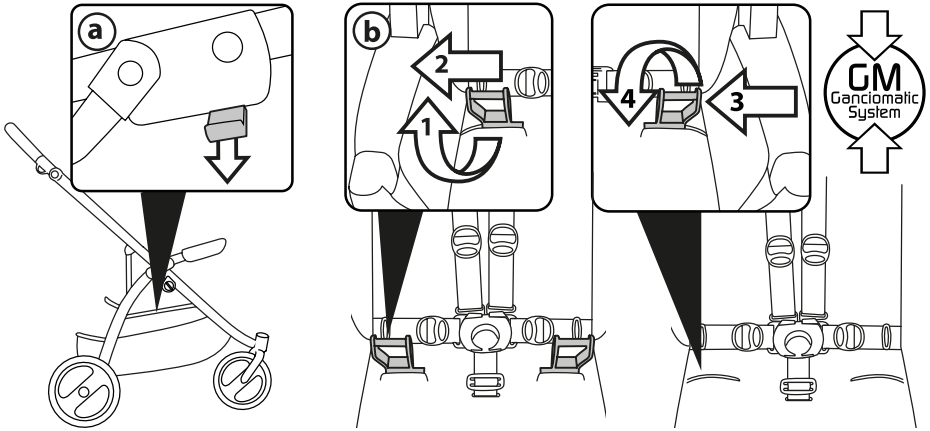




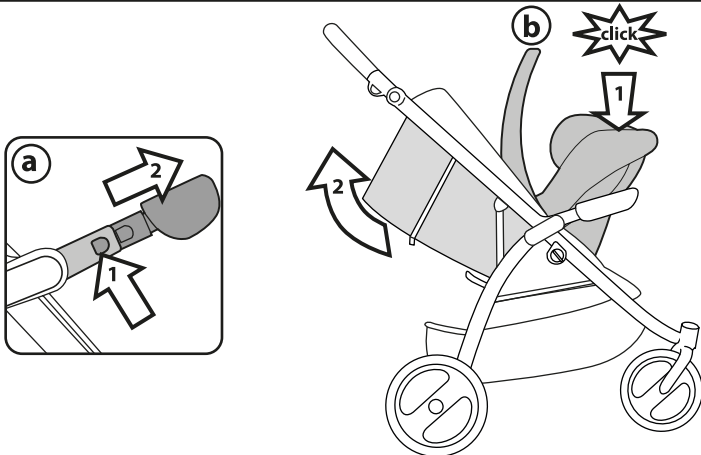
22



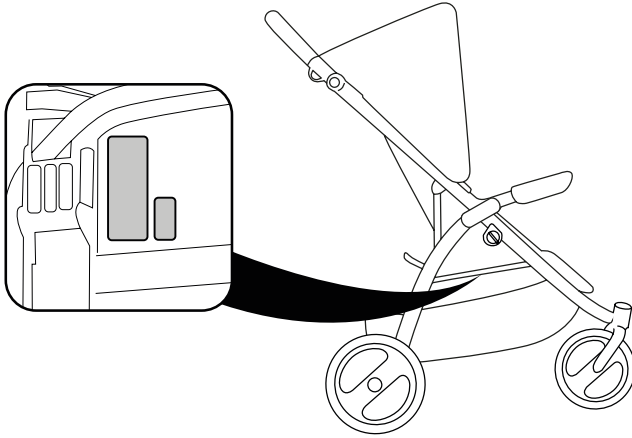
23



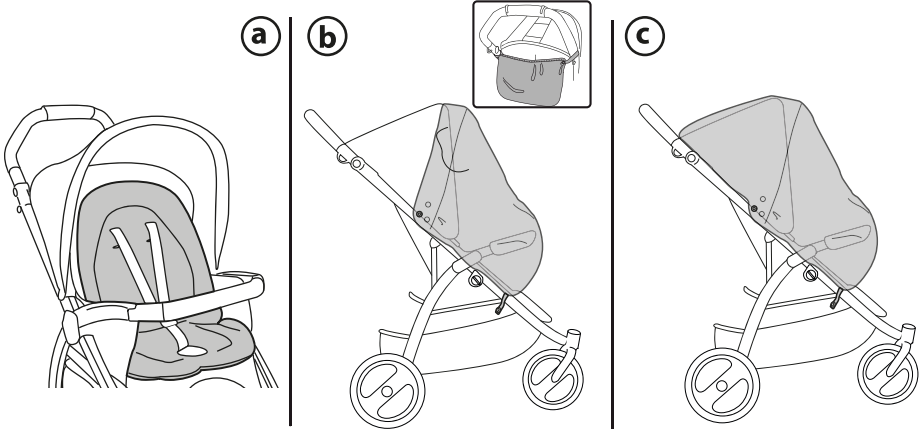
24



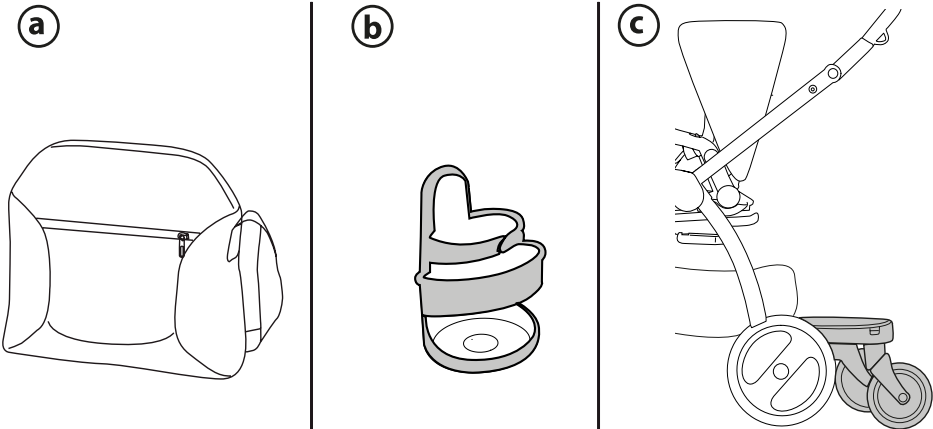
25



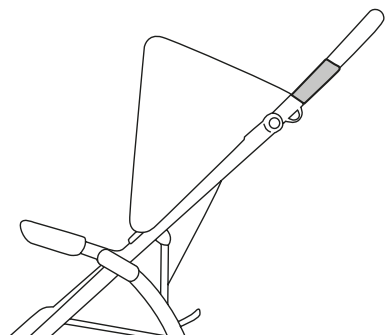
26



27



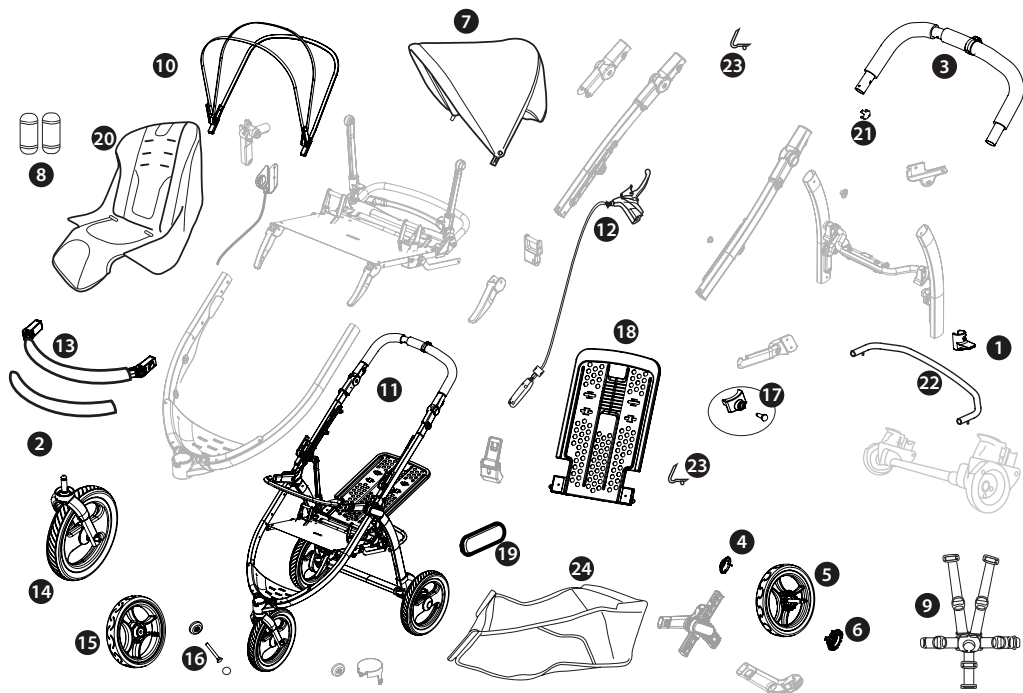
a



b



## Book Cross



- |   |                            |    |               |    |  |    |                   |
|---|----------------------------|----|---------------|----|--|----|-------------------|
| 1 | SPST7779DGP<br>SPST7779SGP | 8  | BSPB3W•       | 16 | SOFF0338Z<br>SPST7687DN<br>SPST7687SN<br>MMRA0010<br>MMCA0010L30 | 19 | SPST7603KNPEG     |
| 2 | CFRPB300-NER               | 9  | MUCI5P22N     | 17 | SPST7351N<br>MMVA0260N   | 20 | BSAB3WNA•         |
| 3 | ARPI0735L31                | 10 | ASPI0186L50N  | 18 | SPST7605N  | 21 | SPST7301N         |
| 4 | SPST6232KN                 | 11 | ITPB3NANGPL31 |    |  | 22 | ASPI0187L31       |
| 5 | SAPI7253WN                 | 12 | MMMV0047      |    |  | 23 | MMMO0025D         |
| 6 | MMMV0048<br>BCAB3W•        | 13 | ARPI0738L31N  |    |  | 24 | ERSHB300-NY01RT01 |
|   |                            | 14 | SAPI7688L31N  |    |  |    |                   |
|   |                            | 15 | SAPI7253KNNS  |    |  |    |                   |


EN Spare parts available in different colours to be specified when ordering.  
 ES Repuestos disponibles en otros colores que se especificarán en el pedido.  
 FR Pièces de rechange disponibles en plusieurs couleurs à spécifier dans la demande.

# EN\_English

## **WARNING**

- CAREFULLY READ INSTRUCTIONS AND KEEP FOR FUTURE USE.
- THE CHILD'S SAFETY COULD BE PUT AT RISK IF THE INSTRUCTIONS ARE NOT FOLLOWED.
- THIS PRODUCT IS DESIGNED FOR CHILDREN WHOSE MAXIMUM WEIGHT IS 45 POUNDS (20 KG) AND WHOSE MAXIMUM HEIGHT IS 43 INCHES (110 CM). THIS SHOPPER BASKET IS DESIGNED TO CARRY A MAXIMUM WEIGHT OF 11 POUNDS (5 KG). ANY POACH OR POCKET PROVIDED WITH THIS UNIT IS DESIGNED TO CARRY A MAXIMUM WEIGHT OF 0.44 POUNDS (0.2 KG).
- THIS ITEM WAS DESIGNED FOR USE IN COMBINATION WITH PEG-PÉREGO GANCIOMATIC "PRIMO VIAGGIO 4.35" CAR SEAT (GROUP 0+).
- BEFORE USE CHECK THAT THE "PRIMO VIAGGIO" CAR SEAT (GROUP 0+).
- DO NOT PUT HOT DRINKS IN THE DRINK-HOLDER, NOR ITEMS WEIGHING MORE THAN 0,5 KG (1 LBS).

 **WARNING:** THE MAXIMUM WEIGHT ALLOWED TO HANG FROM THE HANDLEBAR IS 5 LBS (2.2 KG)

 **WARNING:** DO NOT APPLY GREATER WEIGHTS TO THE HANDLEBAR THAN THOSE SPECIFIED BY THE MANUFACTURER SO AS NOT TO COMPROMISE THE STABILITY AND SAFETY OF THE PRODUCT

FAILURE TO FOLLOW MANUFACTURER'S SPECIFICATIONS OR USE OF ACCESSORIES OTHER THAN THOSE APPROVED BY THE MANUFACTURER MAY CAUSE THE UNIT TO BECOME UNSTABLE.

 **WARNING:** AVOID SERIOUS INJURY FROM FALLING OR

SLIDING OUT. ALWAYS USE COMPLETE 5 POINT SEAT BELT.

 **WARNING:** NEVER LEAVE YOUR CHILD UNATTENDED. ALWAYS USE ALL THE BRAKES WHENEVER PARKED.

- TO AVOID SERIOUS INJURY, WHEN MAKING ADJUSTMENTS ENSURE THE CHILD'S BODY IS CLEAR OF ALL MOVING PARTS.
- ALL OPERATING AND ASSEMBLY PROCEDURES SHOULD BE PERFORMED BY AN ADULT.
- DO NOT LIFT THE STROLLER BY GRIPPING THE FRONT BAR. THE FRONT BAR IS NOT DESIGNED TO WITH STAND LOADS.
- ENSURE THAT THE STROLLER IS OPENED CORRECTLY AND LOCKED IN POSITION OF USE.
- CHECK TO MAKE SURE THAT THE CAR SEAT OR THE BABY CARRIAGE IS CORRECTLY FASTENED TO THE STROLLER (WHERE APPLICABLE).
- DO NOT DRIVE THIS PRODUCT AROUND STAIRS OR STEPS; CARE MUST BE TAKEN IF UNIT IS USED ON STAIRS OR ESCALATORS.
- DO NOT USE THE PRODUCT IF IT HAS BROKEN OR MISSING PARTS.
- DO NOT USE NEAR FIRE OR EXPOSED FLAME.

 **WARNING:** KEEP CHILDREN AWAY WHILE OPENING AND CLOSING TO AVOID TRAPPING OR INJURY

 **WARNING:** DO NOT ADD ANY MATTRESS ARE NOT APPROVED BY THE MANUFACTURER.

 **WARNING:** DO NOT MAKE ANY ALTERATIONS OR MODIFICATIONS TO THE STROLLER WITH PRODUCTS NOT SUPPLIED BY THE MANUFACTURER AS THIS MAY CAUSE INSTABILITY OR STRUCTURAL DAMAGE NOT COVERED UNDER WARRANTY.

## NOTICE

THIS ARTICLE MEETS OR EXCEEDS ALL REQUIREMENTS COVERED IN ASTM F833 STANDARD AND LATEST REVISIONS.

## COMPONENTS OF THE ITEM

Check the contents of the packaging and if you have any complaints please contact the Assistance Service.

– Book Cross: basket; 2 rear wheels, 1 front wheel, handlebar with dynamic brake wire, front bar, hood.

## INSTRUCTIONS

- 1 **OPENING:** Before opening the frame, remove (without using blades) any die-cut cardboard.

**WARNING:**

- DO NOT PULL OR FORCE THE FASTENER BEYOND ITS LIMIT.
- DO NOT USE THE FASTENER AS A CARRY HANDLE OR TO CARRY WEIGHTS.
- DO NOT HANG BAGS OR OTHER ACCESSORIES TO THIS FEATURE.

Press down the side fastener, hold the upper section of the handle and rotate it towards you until the frame is fully opened (fig\_a). Open frame (fig\_b).

The frame is properly opened when the attachment on the base clicks into place, as shown.

- 2 **FITTING THE WHEELS:** push the rear wheels on and make sure that they click into place (fig\_a). To mount the front wheels, fit them into the uprights until they lock into place (fig\_b).
- 3 **ATTACHING THE MAIN HANDLE:** if the handle tube faces upwards, align it with the stroller (Fig\_a). Fasten the handle to the frame as shown in the figure (Fig\_b). To complete the operation, press the two side buttons on the handle (Fig\_c) to ensure the handle pushes in all the way, until it clicks into place (Fig\_d).
- 4 **FITTING THE BASKET:** if lowered, lift the basket tube to the horizontal position. Press the silver buttons under the metal basket tube located at the back of the stroller (fig\_a) and remove the metal tube (fig\_b). Thread the tube through the fabric loop on the back of the basket, making sure that the two silver buttons are facing downward (fig\_c). Re-attach the tube to the housings (fig\_d).
- 5 Secure the two upper basket vinyl eyelets to the two grey buttons on either side of the metal tube housing. Please note that the eyelets open (fig\_e). **IMPORTANT!** Fasten the three lower basket

loops to the three grey buttons on the rear bar fig\_f).

**WARNING!** If this operation is not completed properly, the basket will not support any weight.

Fasten the front basket flaps to the grey buttons on the frame (fig\_g) and then secure the basket centrally to the footrest using the Velcro strap (fig\_h).

- 6 **HOOD:** Fasten the hood at the back using the Velcro strip (fig\_a), insert the hood attachments into their slots (fig\_b), secure with the external rubber band to the buttons on the inside of the handlebar (fig\_c), and finally button the hood laterally to the frame (fig\_d).
- 7 **FIXED OR SWIVEL FRONT WHEELS:** to fix the front wheels, rotate the lever counter clockwise to the locked padlock (fig\_a); to release the wheels, turn the lever clockwise to the unlocked padlock (fig\_b). On difficult terrain, we recommend using fixed wheels.
- 8 **BOOK CROSS BRAKE:** To engage the brake, pull the handle on the handlebar towards you (arrow\_a) and block the red lever (fig\_b); to release the brake, release the lever (arrow\_c). Always engage the brake when stationary. To adjust the brake making it more rigid, loosen the regulator (fig\_d) located on the handlebar by screwing it outwards. To loosen and soften the brake, do the opposite.
- 9 **ADJUSTABLE HANDLEBAR:** To adjust the height of the handlebar, press both of the side buttons at the same time (fig\_a) and swing it into the desired position (fig\_b), then release the buttons.
- 10 **FOOTREST:** before adjusting the foot rest, ensure its cover is accurately fitted; if it isn't, fit it accordingly. To lower the footrest push the two levers downwards and then push the footrest downwards (fig\_a); to raise the footrest lift it upwards (fig\_b).
- 11 **FRONT BAR:** To pull the front bar out by one position, press the button as shown and pull outwards (fig\_a). To remove the front bar, pull it out to the second position and remove (fig\_b). Open-close front bar: pull out on one side and rotate.
- 12 **HOOD:** The hood comes with a loop for hanging your child's favorite toy (fig\_a) and a see-through window for observing your child (fig\_b), which can be lifted and fastened. You can detach the Velcro, roll up the back of the hood and fasten it at the top with the rubber band to allow greater ventilation during use with the backrest down (fig\_c). The hood may be pulled forward into several positions (fig\_d).
- 13 **ADJUSTING THE BACKREST:** to lower the backrest, press the clip and the backrest will move down to the desired position. To raise the backrest, press the clip and lift

- the backrest to the desired height.
- 14 **FIVE POINT SAFETY HARNESS:** To fasten it, push the two waist strap buckles (with the shoulder straps attached – arrow\_a) into the leg divider until they click into place (arrow\_b). To unfasten it, press the round button in the centre of the buckle (arrow\_c) and pull the waist straps out (arrow\_d).
  - 15 To tighten the waist strap, pull on both sides in the direction of the arrow (arrow\_a). To loosen it, move it in the opposite direction.
  - 16 Before adjusting the height of the safety harness remove the shoulder pads (fig\_a). To adjust the height, slip the belts through the eyelet in the fabric (fig\_b) and position them in the most suitable eyelet.
  - 17 **FOLDING UP:** To fold up the stroller, you must ensure the front wheel swivels and the hood are closed, when fastened. Place the handle as shown in the figure (fig\_a). Pull the inside handle on the base (fig\_b) and lift it (fig\_c); the handle will drop forward until the frame is closed.
  - 18 To close correctly, check the side hook is inserted (fig\_a). If not automatically locked, compress the chassis slightly. When folded, the stroller will free standing (fig\_b).
  - 19 For greater compactness, it is possible to remove the wheels.  
To remove the rear wheels: pull the pivot outwards and remove the wheel as shown in the figure (fig\_a).  
To remove the front wheels: press the tab as shown, and remove the wheel (fig\_b).
- TRANSPORT:** the stroller can be carried comfortably locking the front wheels and grasping the main handle (fig\_c).
- 20 **REMOVABLE ITEMS:** to remove the hood, take the elastic off from the buttons on the inside of the handlebar (fig\_a), detach the press studs the sides of the chassis (fig\_b), detach the Velcro strip from the backrest (fig\_c) and remove the attachments of the hood from their positions on the chassis (fig\_d).
  - 21 To remove the seat fabric, press in the holes on the inside of the chassis (fig\_a); remove, from the side of the seat, the rigid flap of the chassis fabric ((fig\_b), unfasten the elastic of the net from the side buttons inside the handlebar (fig\_c) and unfasten the elastics from the buttons inside the chassis (fig\_d).
  - 22 Slip the cover off the footrest from the front (fig\_a), pull the crotch strap out from below the seat (fig\_b), unhook the rubber band from the seat's side hook (fig\_c), unscrew the waist strap (fig\_d) and remove the cover from the backrest (fig\_e).

## **GANCIOOMATIC SYSTEM**

The Ganciomatic System is the quick,

practical system that allows you to fasten the Primo Viaggio 4•35 car seat (sold separately) onto the stroller using the Ganciomatic hooks.

- 23 **GANCIOOMATIC HOOKS ON THE STROLLER:** to lift the stroller's Ganciomatic hooks, pull back the fabric at the corners of the seat. Pull the frame's side levers outwards (fig\_a) and turn the Ganciomatic hooks upwards.  
\_ To lower the hooks, proceed in the opposite order.

### **GANCIOOMATIC FASTENING**

- 24 **Book Cross + Primo Viaggio 4•35**  
To mount the car seat on the stroller or chassis, you must:
  - \_ Engage the stroller's brake;
  - \_ Lift the stroller's Ganciomatic hooks;
  - \_ Pull the front bar out to the second position (fig\_a).
  - \_ Fully lower the backrest, if in place.
  - \_ Place the car seat, facing mom, on the Ganciomatic hooks and push it down until it clicks into place.
  - \_ Once the seat is mounted, lift the backrest - if in place - to the maximum height (fig\_b).
  - \_ See the instruction manual to release the car seat from the stroller.

## **SERIAL NUMBERS**

- 25 Information about the production date can be found on the Book Cross .
  - \_ The product name, production date and serial number of the chassis.  
This information is required for any complaints.

## **ACCESSORIES**

- 26 **BABY CUSHION:** For Peg Perego high chairs and strollers. Winter side of quilted jersey fabric, summer side of 100% cotton (fig\_a).  
**MOSQUITO NETTING:** may be fastened to the hood (fig\_b).
- RAIN COVER:** can be fastened to the hood (fig\_c).
- 27 **BORSA:** a large bag with a mat to change the baby on (fig\_a).
- CUP HOLDER:** may be fastened to the mushroom button on the frame (fig\_b).
- BOOK BOARD:** Rear footrest plus two handlebar extensions (fig\_c).
- 28 **BOOK HANDLE EXTENSIONS:** Two handle extensions (fig\_a).
- PARASOL:** practical matching umbrella (fig\_b).

## **CLEANING AND MAINTENANCE**

**PRODUCT MAINTENANCE:** protect from the weather: water, rain, or snow; prolonged and continuous exposure to bright sunlight

may give rise to colour changes of various different materials; store this product in a dry place.

**CLEANING THE SEAT:** periodically clean all plastic parts with a damp cloth. Do not use solvent or similar cleaning products; keep all metal parts dry to prevent rusting; keep moving parts clean (adjustment mechanisms, locking mechanisms, wheels, ...) and free of dust and sand and, if necessary, lubricate with light machine oil.

**CLEANING THE RAIN CANOPY:** wash with a sponge and soapy water; do not use detergents.

**CLEANING FABRIC PARTS:** Brush the fabric parts to remove dust.

- When washing, closely follow the instructions stated on the label sewn into the cover.
- Do not use chlorine bleach.
- Do not iron.
- Do not dry clean.
- Do not remove stains with solvents.
- Do not tumble dry.

## **PEG-PÉREGO S.p.A.**

Peg Pérego can make changes at any time to the models described in this publication for technical or commercial reasons.

## **PEG-PÉREGO AFTER-SALES SERVICE**

If any parts of the item get lost or damaged, only use genuine Peg Pérego spare parts. For any repairs, replacements, information on the products and sales of genuine spare parts and accessories, contact the Peg Pérego Assistance Service and state the serial number of the product, if present.

## **USA**

tel. 800.671.1701  
fax 260.471.6332  
call us toll free 1.800.671.1701  
website [www.pegperego.com](http://www.pegperego.com)

## **CANADA**

tel. 905.839.3371  
fax 905.839.9542  
call us toll free 1.800.661.5050  
website [www.pegperego.com](http://www.pegperego.com)

# **ES\_Español**

## **⚠️ ADVERTENCIA**

**— IMPORTANTE: LEER ATENTAMENTE ESTAS INSTRUCCIONES Y CONSERVARLAS PARA UNA FUTURA UTILIZACIÓN.**

**— SI NO SE SIGUEN ESTAS INSTRUCCIONES, SE PODRÍA ARRIESGAR LA SEGURIDAD DEL NIÑO.**

**— DISEÑO PARA UN NIÑO CON UN PESO MÁXIMO DE 20 KG Y UNA ALTURA MÁXIMA DE 110 CM. LA CESTILLA HA SIDO REALIZADA PARA SOPORTAR UN PESO MÁXIMO DE 5 KG. LOS POSIBLES PORTABEBIDAS QUE VAN CON ESTE PRODUCTO ESTÁN CONCEBIDOS PARA SOPORTAR EL PESO MÁXIMO ESPECIFICADO EN EL PORTABEBIDAS EN CUESTIÓN. CUALQUIER BOLSA ENTREGADA JUNTO AL PRODUCTO ESTÁ REALIZADA PARA SOPORTAR UN PESO MÁXIMO DE 0,2 KG.**

**— ESTE ARTÍCULO SE HA DISEÑADO PARA USARSE JUNTO CON UNA SILLA DE AUTO "PRIMO VIAGGIO 4•35" (GRUPO 0+) PEG-PÉREGO GANCIOMATIC.**

**— ANTES DE USAR LA SILLA DE AUTO "PRIMO VIAGGIO 4•35" (GRUPO 0+) ASEGÚRESE DE QUE ESTÉ CORRECTAMENTE ENGANCHADA AL ARTÍCULO.**

**— NO PONGA BEBIDAS CALIENTES EN EL PORTA BEBIDAS, NI OBJETOS QUE PESEN MÁS DE MEDIO KILO.**

## **⚠️ ADVERTENCIA:**

**— EL PESO MÁXIMO DEL BOLSO QUE SE COLOCA EN EL ASA (SE CUELGA) ES DE 5 LBS (2,2 KG)**

## **⚠️ ADVERTENCIA:**

**— NO COLOQUE EN EL ASA PESOS SUPERIORES A LOS INDICADOS POR EL FABRICANTE, PARA NO PERJUDICAR LA ESTABILIDAD NI LA SEGURIDAD DEL ARTÍCULO (PRODUCTO)**

- SI NO SE RESPETAN LAS INDICACIONES ESPECIFICADAS O SI SE USAN ACCESORIOS DIFERENTES DE LOS HOMOLOGADOS POR EL FABRICANTE, EL PRODUCTO PUEDE SER INESTABLE.

## **⚠️ ADVERTENCIA:**

- PARA EVITAR LESIONES GRAVES POR CAÍDAS O SI ESCAPA EL NIÑO DE LA SILLA DE PASEO, USAR SIEMPRE UN CINTURÓN DE SEGURIDAD DE 5 PUNTOS COMPLETO.

## **⚠️ ADVERTENCIA:**

- NO DEJAR NUNCA AL NIÑO SIN VIGILANCIA.
- USAR SIEMPRE TODOS LOS DISPOSITIVOS DE BLOQUEO CADA VEZ QUE LA SILLA DE PASEO NO ESTÉ EN MOVIMIENTO.

- PARA EVITAR LESIONES GRAVES, ASEGURARSE DE QUE EL NIÑO NO PUEDA MOVERSE PELIGROSAMENTE MIENTRAS SE REGULA EL PRODUCTO.

- TODAS LAS OPERACIONES DE ENSAMBLAJE DEBE REALIZARLAS SOLO UN ADULTO.

- NO LEVANTAR LA SILLA DE PASEO COGIÉNDOLA POR LA BARRA FRONTAL. LA BARRA FRONTAL NO HA SIDO CONCEBIDA PARA SOPORTAR PESOS.

- ASEGURARSE DE QUE LA SILLA DE PASEO ESTÉ ABIERTA CORRECTAMENTE Y BLOQUEADA EN LA POSICIÓN CORRECTA PARA SU UTILIZACIÓN.

- ASEGURARSE DE QUE LA SILLA DE AUTO O EL COCHECITO ESTÉN ENGANCHADOS CORRECTAMENTE A LA SILLA DE PASEO.

- NO USAR LA SILLA DE PASEO CERCA DE ESCALERAS O ESCALONES; PRESTAR ATENCIÓN CUANDO SE UTILIZA EN ESCALERAS O ESCALERAS MECÁNICAS.

- NO UTILIZAR EL PRODUCTO SI PRESENTA PARTES DAÑADAS O SI FALTA ALGUNA PARTE.

- NO USAR EN PRESENCIA DE LLAMAS O FUENTES DE CALOR.

## **⚠️ ADVERTENCIA:**

- DURANTE LAS OPERACIONES DE APERTURA Y CIERRE, COMPRUEBE QUE EL NIÑO ESTÉ SUFICIENTEMENTE ALEJADO, PARA EVITAR QUE QUEDE ATRAPADO O HERIDO

## **⚠️ ADVERTENCIA:**

- NO AÑADIR UN COLCHÓN NO APROBADO POR EL FABRICANTE.

## **⚠️ ADVERTENCIA:**

- NO ALTERE NI MODIFIQUE EL COCHECITO CON PRODUCTOS NO PROVISTOS POR EL FABRICANTE, YA QUE PODRÍAN PROVOCAR INESTABILIDAD O DAÑOS ESTRUCTURALES NO CUBIERTOS POR LA GARANTÍA.

## **AVISO**

ESTE PRODUCTO CUMPLE O NEBASA CON TODOS LOS REQUISITOS ESTABLECIDOS POR LA NORMA ASTM F833 Y ULTERIORES REVISIONES.

## **COMPONENTES DEL ARTÍCULO**

Comprobar el contenido presente en el embalaje y contactar al Servicio de Asistencia en caso de reclamación.

- Book Cross: cesto, 2 ruedas traseras, 1 rueda delantera, tirador con cable de freno dinámico, barra frontal, capota.

## **INSTRUCCIONES DE USO**

- 1 APERTURA: Antes de abrir el bastidor, quitar todos los cartones troquelados, si los hay, sin utilizar cuchillas.

ATENCIÓN:

- NO TIRE NI FUERCE EL GANCHO DE CIERRE MÁS ALLÁ DE SU FINAL DE CARRERA.

- NO UTILICE EL GANCHO DE CIERRE COMO ASIDERO DE TRANSPORTE NI PARA ENGANCHAR PESOS.

NO CUELQUE BOLSOS NI OTROS ACCESORIOS EN ESTA PIEZA.

Presione hacia abajo el gancho de cierre lateral, sujetar los extremos superiores del tirador y girarlos hasta abrir el carrito por completo (fig\_a). Carrito abierto (fig\_b). La apertura correcta se produce cuando se percibe el encastre, correspondiente al enganche de la base; ver la figura.

- 2 MONTAJE DE LAS RUEDAS: enganchar las ruedas traseras (fig\_a) hasta oír el clic. Para



- montar las ruedas delanteras, colocarlas en los montantes hasta percibir el encastre (fig\_b).
- 3 **ENGANCHE DE LA AGARRADERA:** si el tubo de la agarradera está orientado hacia arriba, alinearlo a la silla de paseo (Fig\_a). Engancharlo al chasis como en la figura (Fig\_b). Para completar el enganche, es necesario pulsar los dos botones laterales de la agarradera (Fig\_c) con el fin de empujarla a fondo, hasta percibir el encastre (Fig\_d).
- 4 **MONTAJE DE LA CESTA:** Pulse los botones plateados que están debajo del tubo metálico de la cesta, situado en la parte trasera de la silla de paseo (fig\_a) y retire el tubo metálico (fig\_b). Haga pasar el tubo por el dobladillo de tejido de la parte trasera de la cesta, con los dos botones plateados dirigidos hacia abajo (fig\_c). Coloque nuevamente el tubo en su soporte (fig\_d).
- 5 Fije los dos ojales superiores de la cesta en los dos botones grises que se encuentran a ambos lados de los soportes del tubo de la cesta. Nótese que los ojales se abren (fig\_e). ¡IMPORTANTE! Abrochar con los tres ojales inferiores del cesto los tres botones grises sobre la barra posterior (fig\_f). ¡ATENCIÓN! Si esta operación no se realiza correctamente, el cesto no podrá sostener el contenido. Fijar las aletas delanteras del cesto con los botones g stribo con el velcro (fig\_h).
- 6 **CAPOTA:** Pegar la capota al lado posterior con el velcro (fig\_a), introducir los ganchos de la capota en los alojamientos (fig\_b), fijarla con el elástico del borde a los botones internos del tirador (fig\_c) y abotonarla lateralmente al chasis (fig\_d).
- 7 **RUEDAS DELANTERAS FIJAS O PIVOTANTES:** para que las ruedas delanteras queden fijas, gire la perilla en sentido contrario al de las agujas del reloj, llevándola sobre el candado cerrado (fig\_a); para desbloquear las ruedas, gire la perilla en el sentido de las agujas del reloj, llevándola sobre el candado abierto (fig\_b). Sobre terrenos irregulares se recomienda el uso de las ruedas fijas.
- 8 **FRENO BOOK CROSS:** para frenar la silla de paseo, tirar del asa del tirador (flecha\_a) y bloquear la palanca roja (fig\_b); para desbloquear el freno, desbloquear la palanca (flecha\_c). Mientras la silla de paseo está detenida, el freno deberá permanecer accionado. Para apretar el freno, desenroscar el regulador (fig\_d) del tirador hacia fuera. Para aflojar el freno, regularlo en el sentido contrario.
- 9 **MANILLAR REGULABLE:** para regular la altura del manillar, presionar simultáneamente los botones laterales (fig\_a) y girar el manillar en la posición deseada (fig\_b). Soltar los botones.
- 10 **REPOSAPIÉS:** antes de regular el reposapiés, compruebe que el saco correspondiente esté calzado en sus soportes, y cácelo si no lo está. Para bajarlo, empujar hacia abajo las dos palancas (fig. a). Para alzarlo, empujar el reposapiés hacia arriba (fig. b).
- 11 **BARRA FRONTAL:** para alargar la barra frontal, pulsar la tecla como en la figura y tirar hacia fuera (fig\_a). Para sacar la barra frontal, alargarla hasta la segunda posición y extraerla (fig\_b). Barra frontal con apertura y cierre: extraerla por un lado y girarla.
- 12 **CAPOTA:** La capota está dotada de un ojal para colgar el juguete preferido (fig\_a) y de una ventana transparente para observar al niño (fig\_b); es posible levantarla y fijarla. Es posible abrir el velcro, enrollar la parte posterior de la capota y fijarla arriba con el elástico para permitir una mayor aireación durante el uso con el respaldo bajo (fig\_c). La capota se puede regular en varias posiciones (fig\_d).
- 13 **REGULACIÓN DEL RESPALDO:** para reclinarlo, pulse el clip y baje el respaldo hasta la altura deseada. Para enderezarlo, pulse el clip y alce el respaldo hasta la altura deseada.
- 14 **CINTURÓN DE SEGURIDAD DE 5 PUNTOS:** Para engancharlo, introducir las dos hebillas del cinturón ventral (con los tirantes enganchados como muestra la flecha\_a) en la tira entrepiernas hasta oír el clic (flecha\_b). Para desengancharlo, pulsar el botón redondo colocado en el centro de la hebilla (flecha\_c) y tirar hacia afuera del cinturón ventral (flecha\_d).
- 15 Para ajustar la correa de la cintura, tirar de ambos lados en el sentido de la flecha (flecha\_a); para aflojarla, deslizarla en sentido contrario.
- 16 Antes de ajustar la altura de los cinturones de seguridad, retire los tirantes (fig\_a). Para ajustar la altura, introduzca los tirantes en la abertura del tapizado (fig\_b) y ubíquelos en las aberturas más apropiadas.
- 17 **CIERRE:** Para cerrar la silla de paseo es necesario poner la rueda delantera en estado pivotante y cerrar la capota, si está puesta.
- 18 Para un cierre correcto, compruebe que el gancho lateral esté acoplado (fig\_a); si no se hubiera enganchado automáticamente, oprima ligeramente el chasis. El cochecito cerrado se mantiene de pie solo (fig\_b).
- 19 Para una mayor compacidad, es posible extraer todas las ruedas. Para extraer las ruedas traseras: tirar del perno hacia fuera y sacar la rueda como indica la figura (fig\_a).

Para extraer la rueda delantera: presionar la lengüeta como en la figura y extraer la rueda (fig\_b).

TRANSPORTE: la silla se puede transportar cómodamente, manteniendo fijas las ruedas delanteras, sosteniéndola por el tirador central (fig\_c).

- 20 **EXTRACCIÓN DEL TAPIZADO:** para extraer el tapizado de la capota, retire el elástico de los botones que están en la parte interior del asa (fig\_a), desabotónela de los laterales del chasis (fig\_b), despegue el velcro del respaldo (fig\_c) y extraiga los acoplamientos de la capota de sus alojamientos (fig\_d).
- 21 Para extraer el tapizado de la silla, ejerza presión en los orificios de la parte interior del chasis (fig\_a); extraiga de los laterales del asiento la lengüeta rígida del tapizado, para sacarlo del chasis (fig\_b), desenganche el elástico de la red de los botones laterales presentes en la parte interior del asa (fig\_c) y desenganche los elásticos de los botones que están en la parte interior del chasis (fig\_d).
- 22 Extraiga el tapizado por adelante para sacarlo del reposapiés (fig\_a), retire de abajo del asiento la correa de la entrepierna (fig\_b), suelte el elástico del gancho lateral del asiento (fig\_c), destornille en el lateral la correa de la cintura (fig\_d) y extraiga el tapizado del respaldo (fig\_e).

## SISTEMA GANCIOMATIC

Ganciomatic es el sistema práctico y veloz que le permite enganchar en el cochecito (utilizando los acoplamientos Ganciomatic) la silla de auto Primo Viaggio 4•35, que se pueden comprar por separado.

- 23 **ACOPLAMIENTOS GANCIOMATIC DEL COCHECITO:** Para alzar los acoplamientos Ganciomatic del cochecito, levante el tapizado en los ángulos del asiento. Tirar de las palancas laterales del chasis (fig\_a) hacia fuera y girar hacia arriba los ganchos Ganciomatic.
- \_ Para bajar los acoplamientos, realice las operaciones inversas.
- ENGANCHE GANCIOMATIC**
- 24 **Book Cross + Primo Viaggio 4•35**  
Para enganchar la silla de auto en la silla de paseo o el carrito:
- \_ Frenar la silla de paseo;
  - \_ Levantar los ganchos Ganciomatic de la silla de paseo;
  - \_ Alargar la barra frontal a la segunda posición (fig\_a);
  - \_ Bajar completamente el respaldo, si está pueste;
  - \_ Poner la silla de auto orientada hacia la

mamá sobre los ganchos Ganciomatic y empujarla hacia abajo hasta que se produzca el encastre;

- \_ Una vez enganchada la silla, levantar el respaldo hasta la altura máxima (fig\_b);
- \_ Para desenganchar la silla de auto de la silla de paseo, consultar el manual de instrucciones.

## NÚMEROS DE SERIE

- 25 **Book Cross**, incluye información relativa a la fecha de producción del mismo.
- \_ Nombre del producto, fecha de producción y numeración del carrito.
- Estas informaciones son indispensables en caso de reclamación.

## ACCESORIOS

- 26 **BABY CUSHION:** para sillas de auto y sillas de paseo Peg Perego. Lado invierno de tejido jersey acolchado y lado verano 100% algodón, (fig\_a)
- MOSQUITO NETTING:** aplicable a la capota (fig\_b).
- RAIN COVER:** Paralluvia aplicable a la capota (fig\_c).
- 27 **BORSA:** bolsa con colchoneta para cambiar al bebé (fig\_a).
- CUP HOLDER:** enganchable a la seta que se encuentra sobre el chasis del producto (fig\_b).
- BOOK BOARD:** Estribo posterior más dos extensiones para el tirador (fig\_c).
- 28 **BOOK HANDLE EXTENSIONS:** Dos alargadores para el asa (fig\_c).
- PARASOL:** práctica sombrilla a juego (fig\_c)

## LIMPIEZA Y MANTENIMIENTO

**MANTENIMIENTO DEL PRODUCTO:** proteger contra agentes atmosféricos (agua, lluvia o nieve). Una exposición continua y prolongada al sol podría causar cambios de color de muchos materiales. Conservar este producto en un lugar seco. Realizar controles e intervenciones de mantenimiento habituales en las partes principales.

**LIMPIEZA DEL CHASIS:** Limpiar periódicamente las partes de plástico con un paño húmedo sin usar solventes u otros productos similares. Mantener secas todas las partes de metal para prevenir la oxidación. Mantener limpias todas las partes móviles (dispositivo de regulación, de enganche, ruedas...) quitando el polvo o la arena y, en caso necesario, engrasarlas con aceites ligeros.

**LIMPIEZA DEL PROTECTOR DE LLUVIA:** lavar con una esponja con agua y jabón, sin usar detergentes.

**LIMPIEZA DE LAS PARTES DE TEJIDO:**

Cepillar las partes de tejido para protegerlas del polvo.

- Para el lavado atenerse a la etiqueta cosida a la bolsa del producto.
- No utilizar lejía a base de cloro.
- No planchar.
- No lavar en seco.
- No eliminar las manchas con disolventes.
- No secar en secadoras con tambor rotativo.

## PEG-PÉREGO S.p.A

Peg-Pérego podrá aportar en cualquier momento modificaciones a los modelos que se describen en el presente manual por razones técnicas o comerciales.

## SERVICIO DE ASISTENCIA PEG-PÉREGO

En caso de que se pierdan o se dañen partes del producto, utilizar sólo repuestos originales Peg-Pérego. Para eventuales reparaciones, sustituciones, informaciones sobre los productos, venta de recambios originales y accesorios, póngase en contacto con el Servicio de Asistencia Peg Perego indicando, si está presente, el número de serie del producto.

## USA

tel. 800.225.1558 (Español)  
fax 260.471.6332  
call us toll free 1.800.225.1558 (Español)  
website [www.pegperego.com](http://www.pegperego.com)

# FR\_Français

## AVERTISSEMENT

— **LIRE CES INSTRUCTIONS AVEC ATTENTION ET LES CONSERVER POUR TOUTE RÉFÉRENCE FUTURE. LA SÉCURITÉ DE VOTRE ENFANT POURRAIT ÊTRE MENACÉE SI CES INSTRUCTIONS NE SONT PAS RESPECTÉES.**

- CE PRODUIT A ETE CONÇU POUR DES ENFANTS DONT LE POIDS N'EXCEDE PAS 20 KG (45 LIVRES) ET LA TAILLE NE DEPASSE PAS 110 CM (43 POUCES). LE PANIER A ETE CONÇU POUR SUPPORTER DES CHARGES MAXIMALES DE 5 KG (11 LIVRES). LES POCHETTES OU SACS FOURNIS AVEC CE PRODUIT ONT ETE CONÇUS POUR SUPPORTER DES CHARGES MAXIMALES DE 0,2 KG (0,44 LIVRES).
- CET ARTICLE A ÉTÉ CONÇU POUR ÊTRE UTILISÉ AVEC UN SIÈGE-AUTO "PRIMO VIAGGIO 4•35" GANCIOMATIC DE PEG-PÉREGO (GROUPE 0+).
- AVANT TOUTE UTILISATION, VEUILLEZ CONTRÔLER QUE LE SIÈGE-AUTO "PRIMO VIAGGIO 4•35" (GROUPE 0+) SONT FIXÉ CORRECTEMENT À L'ARTICLE.
- IL EST DÉCONSEILLÉ DE METTRE UN BIBERON OU UNE BOUTEILLE CONTENANT UNE BOISSON CHAUDE ET PESANT PLUS D' 0,5 KG DANS LE PORTE-BIBERON.

## AVERTISSEMENT:

— LE POIDS MAXIMUM ADMIS DANS LE SAC À APPLIQUER (SUSPENDRE) À LA POIGNÉE EST DE 5 LBS (2,2 KG)

## AVERTISSEMENT:

- NE PAS APPLIQUER À L'ANSE DES POIDS SUPÉRIEURS À CEUX DÉCLARÉS PAR LE FABRICANT POUR NE PAS COMPROMETTRE LA STABILITÉ ET LA SÉCURITÉ DE L'ARTICLE (PRODUIT)
- LE DEFAULT D'OBSERVATION DES SPECIFICATIONS DU FABRICANT

OU L'EMPLOI D'ACCESSOIRES NON APPROUVÉS PAR LE FABRICANT PEUT AFFECTER LA STABILITÉ DU PRODUIT.

## **⚠️ AVERTISSEMENT:**

POUR ÉVITER DE GRAVES BLESSURES SUITE À LA CHUTE OU AU GLISSEMENT DE L'ENFANT DU PRODUIT, TOUJOURS UTILISER UNE CEINTURE DE SÉCURITÉ À 5 POINTS COMPLÈTE.

## **⚠️ AVERTISSEMENT:**

NE JAMAIS LAISSER L'ENFANT SANS SURVEILLANCE.

TOUJOURS ACTIONNER LES FREINS LORSQUE LE PRODUIT EST À L'ARRÊT.

POUR ÉVITER DE GRAVES BLESSURES LORS DU RÉGLAGE DU PRODUIT,

S'ASSURER QUE LES MEMBRES DE L'ENFANT NE SONT PAS EN CONTACT AVEC DES PIÈCES EN MOUVEMENT.

L'ENSEMBLE DES PROCÉDURES DE MONTAGE ET D'UTILISATION DOIT ÊTRE EFFECTUÉ PAR UN ADULTE

NE PAS SOULEVER LA POUSETTE PAR LA BARRE FRONTALE. ELLE N'A PAS ÉTÉ CONÇUE POUR SUPPORTER DES CHARGES.

S'ASSURER QUE LA POUSETTE EST CORRECTEMENT OUVERTE

EST BLOQUÉE DANS LA POSITION CONVENANT À SON UTILISATION.

CONTRÔLER QUE LE SIÈGE ENFANT OU LE LANDAU EST CORRECTEMENT ACCROCHÉ À LA POUSETTE.

NE PAS UTILISER CE PRODUIT À PROXIMITÉ DE MARCHES OU

D'ESCALIERS; PRÊTER ATTENTION À LA MANIPULATION DU PRODUIT DANS DES ESCALIERS OU DES ESCALATORS.

NE PAS UTILISER LE PRODUIT SI DES PIÈCES SONT MANQUANTES OU CASSÉES.

NE PAS UTILISER PRÈS DU FEU OU D'UNE FLAMME DIRECTE.

## **⚠️ AVERTISSEMENT:**

PENDANT LES OPÉRATIONS D'OUVERTURE ET DE FERMETURE

VEILLER À CE QUE L'ENFANT SOIT ÉLOIGNÉ POUR ÉVITER TOUT RISQUE DE COINCEMENT OU DE BLESSURE

## **⚠️ AVERTISSEMENT:**

NE PAS AJOUTER DE MATELAS QUI NE SOIT PAS APPROUVÉ PAR LE FABRICANT.

## **⚠️ AVERTISSEMENT:**

NE PAS ALTÉRER OU MODIFIER LA POUSETTE AVEC DES PRODUITS FOURNIS PAR LE FABRICANT CAR CELA POURRAIT RENDRE LE PRODUIT INSTABLE OU PROVOQUER DES DOMMAGES STRUCTURELS NON COUVERTS PAR LA GARANTIE.

## **REMARQUE**

CET ARTICLE REMPLIT LES CONDITIONS REQUISES PAR LA NORME ASTM F833 ET RÉVISIONS RÉCENTES OU SATISFAIT À DES CONDITIONS PLUS SÉVÈRES.

## **COMPOSANTS DE L'ARTICLE**

Vérifier le contenu de l'emballage. Pour toute réclamation, veuillez contacter le Service d'assistance.

- Book Cross : panier, 2 roues arrière, 1 roue avant, anse avec freinage centralisé dynamique, barre frontale, capote.

## **INSTRUCTIONS D'UTILISATION**

- 1 **OUVERTURE** : Avant d'ouvrir le châssis, le cas échéant, retirer (sans utiliser de lames) tous les éléments en carton. ATTENTION :
  - NE PAS TIRER OU FORCER LE CROCHET DE FERMETURE AU-DELÀ DE LA FIN DE COURSE.
  - NE PAS UTILISER LE CROCHET DE FERMETURE COMME POIGNÉE DE TRANSPORT OU POUR Y SUSPENDRE DES POIDS.
  - NE PAS SUSPENDRE SACS OU AUTRES ACCESSOIRES À CETTE PIÈCE.Appuyer vers le bas sur le crochet de fermeture latéral, saisir les extrémités supérieures de l'anse et les tourner vers soi jusqu'à ce que le chariot soit complètement ouvert (fig\_a). Chariot ouvert (fig\_b). L'ouverture correcte est confirmée par le déclic, qui correspond à l'accrochage de la base, voir figure.
- 2 **MONTAGE ROUES** : accrocher les roues arrière (fig\_a) jusqu'au déclic. Pour monter les roues avant, les enfiler sur les montants jusqu'au déclic (fig\_b).
- 3 **FIXATION DE L'ANSE** : si le tube de l'anse est

- tourné vers le haut l'aligner avec la poussette (Fig\_a).  
 Le fixer au châssis comme sur la figure (Fig\_b).  
 Pour compléter le montage, il faut appuyer sur les deux boutons se trouvant sur les côtés de l'anse (Fig\_c) pour amener l'anse jusqu'au fond, jusqu'au déclic (Fig\_d).
- 4 **MONTAGE PANIER** : si abaissé, soulever le tube du panier en position horizontale. Appuyez sur les boutons argentés sous le montant en métal du panier situé au dos de la poussette (fig\_a) et enlevez le montant (fig\_b) Introduisez le montant dans la boucle en tissu au dos du panier, avec les deux boutons argentés tournés vers le bas (fig\_c). Remettez le montant dans ses logements (fig\_d).
  - 5 Fixez les deux œillets supérieurs du panier aux deux boutons gris fixés de chaque côté des supports du montant du panier À noter que les œillets s'ouvrent (fig\_e). **IMPORTANT !** Fixer les trois œillets inférieurs du panier aux trois boutons gris situés au-dessus de la barre postérieure (fig\_f).  
**ATTENTION !** Si cette opération n'est pas effectuée correctement, le panier ne peut pas supporter le contenu.  
 Fixer les ailettes antérieures du panier sur les boutons gris du châssis (fig\_g) et le fixer au centre du marchepied avec le velcro (fig\_h).
  - 6 **CAPOTE** : fixer la capote à l'arrière avec le velcro (fig\_a), enfiler les fixations de la capote dans les logements prévus à cet effet (fig\_b), fixer avec l'élastique, placé plus à l'extérieur, sur les boutons à l'intérieur de l'anse (fig\_c) et pour finir, la boutonner latéralement sur le châssis (fig\_d).
  - 7 **ROUES AVANT FIXES OU PIVOTANTES**: pour rendre les roues avant fixes, tourner le petit levier dans le sens antihoraire vers le verrou fermé (fig\_a), pour débloquer les roues, tourner le petit levier dans le sens horaire vers le verrou ouvert (fig\_b). En cas de sols difficiles, il est conseillé d'utiliser les roues en mode fixe.
  - 8 **FREIN BOOK CROSS** : pour immobiliser la poussette, tirer vers soi la poignée située sur l'anse (flèche\_a) et bloquer le levier rouge (fig\_b), pour déverrouiller le frein, débloquer le levier (flèche\_c). Toujours actionner le frein à l'arrêt. Pour régler le frein et le rendre plus rigide, dévisser le dispositif de réglage (fig\_d), situé sur l'anse, vers l'extérieur. Pour desserrer et assouplir le frein, agir dans le sens contraire.
  - 9 **POIGNÉE RÉGLABLE** : pour régler la hauteur de la poignée, appuyer simultanément sur les boutons latéraux (fig\_a) et tourner la poignée dans la position souhaitée (fig\_b), puis relâcher les boutons.
  - 10 **REPOSE-PIEDS**: avant de régler le repose-pieds, vérifier que la housse du repose-pieds soit enfilée sur les supports correspondants, dans le cas contraire, l'enfiler. Pour abaisser le repose-pieds, déplacer vers le bas les deux petits leviers et baisser le repose-pieds vers le bas (fig\_a); pour le relever, le pousser vers le haut (fig\_b).
  - 11 **BARRE FRONTALE** : pour allonger la barre frontale d'une position, appuyer sur le bouton comme cela est montré sur la figure et tirer vers l'extérieur (fig\_a). Pour enlever la barre frontale, l'allonger jusqu'à la seconde position et l'extraire (fig\_b). Barre frontale qui s'ouvre et se ferme : l'extraire d'un côté et la tourner.
  - 12 **CAPOTE** : la capote est dotée d'un œillet auquel suspendre son jouet préféré (fig\_a) et d'une fenêtre transparente permettant d'observer l'enfant (fig\_b), et il est possible de la soulever et de la fixer. Il est possible de détacher le velcro et d'enrouler la partie arrière de la capote en la fixant en haut avec l'élastique pour permettre une meilleure aération pendant l'utilisation avec le dossier baissé (fig\_c). La capote est réglable vers l'avant sur plusieurs positions (fig\_d).
  - 13 **RÉGLAGE DU DOSSIER** : pour l'incliner, il est nécessaire d'appuyer sur la pince. Le dossier s'incline alors à la hauteur souhaitée.  
 Pour relever le dossier, appuyer sur la pince et relever le dossier à la hauteur souhaitée.
  - 14 **CEINTURE DE SÉCURITÉ À 5 POINTS** : pour l'accrocher, enclencher les deux boucles de la ceinture ventrale (bretelles attachées, flèche\_a) dans la sangle d'entrejambes jusqu'au déclic (flèche\_b). Pour la décrocher, appuyer sur le bouton rond situé au centre de la boucle (flèche\_c) et tirer la ceinture ventrale vers l'extérieur (flèche\_d).
  - 15 Pour serrer la ceinture ventrale, tirer des deux côtés dans le sens indiqué par la flèche (flèche\_a) ; pour la desserrer, procéder à l'opération contraire.
  - 16 Avant de régler la hauteur des sangles du harnais, enlever les épaulières (fig\_a). Pour régler la hauteur, enfiler les bretelles dans l'œillet de la housse (fig\_b) et les placer dans les œillets les plus appropriés.
  - 17 **FERMETURE** : pour fermer la poussette, il faut rendre la roue avant pivotante et fermer la capote si elle est installée. Placer l'anse comme le montre la figure (fig\_a). Tirer sur la poignée intérieure située sur la base (fig\_b) et, en continuant de la tenir, la soulever (fig\_c) et laisser retomber l'anse vers l'avant jusqu'à la fermeture.
  - 18 Pour obtenir une fermeture correcte, vérifier que la fixation latérale soit enclenchée (fig\_a). Si elle ne s'enclenche pas automatiquement comprimer légèrement le châssis. La poussette fermée reste debout toute seule (fig\_b).
  - 19 Pour qu'elle soit plus compacte, il est possible d'extraire toutes les roues.  
 Pour extraire les roues arrière : tirer le goujon

vers l'extérieur et extraire la roue comme cela est montré sur la figure (fig\_a).

Pour extraire la roue avant : appuyer sur la languette comme cela est montré sur la figure puis extraire la roue (fig\_b).

TRANSPORT : la poussette peut être facilement transportée, avec les roues avant fixes, par sa poignée centrale (fig\_c).

- 20 DÉHOUSSAGE : pour déhouser la capote, détacher l'élastique des boutons situés à l'intérieur de l'anse (fig\_a), la débouonner sur les côtés du châssis (fig\_b), détacher le velcro du dossier (fig\_c) et les fixations de la capote des sièges (fig\_d).
- 21 Pour enlever la housse, appuyer dans les trous placés à l'intérieur du châssis (fig\_a) ; enlever sur les côtés du siège, la languette rigide de la housse du châssis (fig\_b), détacher l'élastique du filet des boutons latéraux situés à l'intérieur de l'anse (fig\_c) et détacher les élastiques des boutons situés à l'intérieur du châssis (fig\_d).
- 22 Enlever le devant la housse du repose-jambes (fig\_a), enlever depuis le dessous de l'assise la sangle d'entrejambes (fig\_b), retirer l'élastique du crochet latéral à l'assise (fig\_c), desserrer latéralement la sangle ventrale (fig\_d) et retirer la housse du dossier (fig\_e).

## GANCIOMATIC SYSTEM

Le Ganciomatic System est un système pratique et rapide permettant d'attacher sur la poussette, grâce aux fixations Ganciomatic, le siège-auto Primo Viaggio 4-35, disponibles séparément.

- 23 FIXATIONS GANCIOMATIC DE LA POUSSETTE : Pour soulever les fixations Ganciomatic de la poussette, soulever la housse au niveau des angles du siège.  
Tirer vers l'extérieur les leviers latéraux du châssis (fig\_a) et tourner les fixations Ganciomatic vers le haut.  
\_ Pour abaisser les fixations, intervenir en sens inverse.

### FIXATION GANCIOMATIC

- 24 Book Cross + Primo Viaggio 4-35  
Pour accrocher le siège-auto à la poussette ou au châssis, il convient de :  
\_ Immobiliser la poussette ;  
\_ Relever les fixations Ganciomatic de la poussette ;  
\_ Allonger la barre frontale dans la seconde position (fig\_a) ;  
\_ Baisser complètement le dossier s'il est installé ;  
\_ Positionner le siège-auto vers la maman sur les fixations Ganciomatic et appuyer vers le bas pour l'enclencher ;  
\_ Une fois le siège-auto accroché, soulever le dossier jusqu'à la hauteur maximale (fig\_b)

s'il est installé ;

- \_ Pour décrocher le siège-auto de la poussette, consulter son manuel d'instructions.

## NUMÉROS DE SÉRIE

- 25 Des informations relatives à la date de production figurent sur Book Cross :  
\_ Nom du produit, date de production et numéro de châssis.  
Ces informations sont indispensables en cas de réclamation.

## ACCESSOIRES

- 26 BABY CUSHION : pour chaises-hautes et poussettes Peg Perego. Face hiver en tissu jersey matelassé, face été 100% coton, (fig\_a).  
MOSQUITO NETTING : Moustiquaire pouvant être montée sur la capote (fig\_b).  
RAIN COVER: habillage pluie applicable à la capote (fig\_c)  
27 BORSA : sac avec petit matelas pour changer le bébé (fig\_a).  
CUP HOLDER : pouvant être accroché au petit champignon sur le châssis du produit (fig\_b).  
BOOK BOARD : marchepied arrière plus deux rallonges pour l'anse (fig\_c).  
28 BOOK HANDLE EXTENSIONS: Deux extensions pour guidon (fig\_c).  
PARASOL: pratique ombrelle coordonnée (fig\_c).

## NETTOYAGE ET ENTRETIEN

ENTRETIEN DE L'ARTICLE: protéger l'article des agents atmosphériques (eau, pluie ou neige); une exposition continue et prolongée au soleil pourrait entraîner un changement de couleur de nombreux matériaux; ranger cet article dans un lieu sec.

NETTOYAGE DU SIÈGE: nettoyer régulièrement les pièces en plastique à l'aide d'un linge humide; ne pas utiliser de solvants ou autres produits similaires. Veiller à ce que toutes les pièces métalliques restent sèches pour prévenir la formation de rouille. Maintenir le bon état de propreté de toutes les pièces mobiles (mécanismes de réglage, mécanismes de fixation, roues, etc.) en enlevant poussière ou sable; graisser avec une huile légère si nécessaire.  
NETTOYAGE DE L'HABILLAGE PLUIE: utiliser une éponge et de l'eau savonneuse; ne pas utiliser de détergents.

NETTOYAGE DES ÉLÉMENTS EN TISSU: broser les éléments en tissu pour éliminer la poussière.

- Pour le lavage, suivre les instructions figurant sur l'étiquette cousue sur la sacoche du produit.
- ne pas blanchir au chlore ;
- ne pas repasser ;
- ne pas laver à sec ;
- ne pas utiliser de solvants pour enlever les taches ;

- ne pas sécher dans un sèche-linge à tambour rotatif.

## PEG-PÉREGO S.p.A.

Peg-Pérego se réserve le droit de procéder à tout moment à des modifications sur les modèles décrits dans cet ouvrage, pour des raisons de nature technique ou commerciale.

## SERVICE D'ASSISTANCE PEG-PÉREGO

En cas de perte de pièces ou de rupture de l'une d'elles, utiliser exclusivement des pièces de rechange originales Peg-Pérego. Pour toute réparation, remplacement, informations sur les produits, vente de pièces détachées d'origine et accessoires, contactez le service après-vente Peg Pérego en indiquant, si présent, le numéro de série du produit.

## CANADA

tél. 905.839.3371

fax 905.839.9542

call us toll free: 1.800.661.5050

site Internet [www.pegperego.com](http://www.pegperego.com)

### EN English

#### Declaration of conformity

Product name

BOOK CROSS

Product reference number

IP02\*

Reference Standards (origin)

ASTM F833  
16 CFR, 1500 & 1501, 15 USC 1278a & 2057c  
CPSIA 2008  
SOR/85-379

Declaration of conformity

PegPerego S.p.A. declares under its sole responsibility that the article to which this declaration relates has undergone internal testing and has been approved, in accordance with regulations in force, by external, independent testing laboratories.

Date and place of issue

Arcore, October 2015

PegPerego S.p.A.  
via De Gasperi, 50  
20862 Arcore (MB), ITALY

### ES Español

#### Declaración de conformidad

Denominación del producto

BOOK CROSS

Código de identificación del producto

IP02\*

Normativas de referencia (origen)

ASTM F833  
16 CFR, 1500 & 1501, 15 USC 1278a & 2057c  
CPSIA 2008  
SOR/85-379

Declaración de conformidad

PegPerego S.p.A. declara bajo su responsabilidad que el artículo en objeto ha sido sometido a pruebas de ensayo internas y ha sido homologado según las normativas vigentes en laboratorios exteriores e independientes.

Fecha y lugar de expedición

Arcore, Octubre 2015

PegPerego S.p.A.  
Via De Gasperi, 50  
20862 Arcore (MB), ITALY

### FR Français

#### Declaration du conformité

Denomination du produit

BOOK CROSS

Identification du produit

IP02\*

Standard du referiment (origin)

ASTM F833  
16 CFR, 1500 & 1501, 15 USC 1278a & 2057c  
CPSIA 2008  
SOR/85-379

Declaration du conformité

PegPerego S.p.A. déclare, sous sa propre responsabilité, que l'article en question a été soumis à des tests d'essais internes et homologué selon les normes en vigueur par des laboratoires extérieurs et indépendants.

Date et lieu du publication

Arcore, octobre 2015

PegPerego S.p.A.  
Via De Gasperi, 50  
20862 Arcore (MB), ITALY

**PEG PEREGO S.p.A.**  
VIA DE GASPERI 50 20862 ARCORE MB ITALIA  
tel. 0039 039 60881 fax 0039 039 615869/616454  
**Servizio Post Vendita - After Sale:**  
tel. 0039 039 6088213 fax: 0039 039 3309992



**PEG PEREGO U.S.A. Inc.**  
3625 INDEPENDENCE DRIVE FORT WAYNE INDIANA 46808  
phone 260 482 8191 fax 260 484 2940  
**Call us toll free:** 1 800 671 1701

**PEG PEREGO CANADA Inc.**  
585 GRANITE COURT PICKERING ONTARIO CANADA L1W3K1  
phone 905 839 3371 fax 905 839 9542  
**Call us toll free:** 1 800 661 5050

[www.pegperego.com](http://www.pegperego.com)



book cross

## **⚠ WARNING**

AVOID SERIOUS INJURY FROM FALLING OR SLIDING OUT.  
ALWAYS USE COMPLETE 5 POINT SEAT BELT.

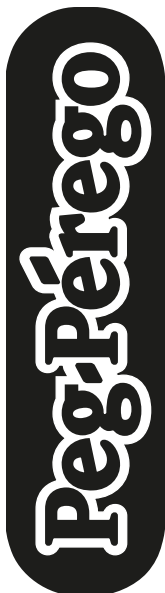
## **⚠ ADVERTENCIA**

EVITE LESIONES DE CAIDAS O DESLIZAMIENTOS HACIA FUERA.  
SIEMPRE UTILIZE EL CINTURON COMPLETO DE 5 PUNTOS.

## **⚠ AVERTISSEMENT**

EVITER UNE BLESSURE SÉRIEUSE DUE À UNE CHUTE OU À UN GLISSEMENT.  
TOUJOURS UTILISER LA CEINTURE DE SÉCURITÉ À 5 POINTS COMPLÈTE.

*All of the intellectual property rights for the contents of this instruction manual belong to PEG PEREGO S.p.A. and are protected by the laws in force. Todos los derechos de propiedad intelectual sobre los contenidos de este manual de instrucciones pertenecen a PEG PEREGO S.p.A. y están protegidos por las leyes vigentes. Tous les droits de propriété intellectuelle relatifs au contenu de ce manuel appartiennent à PEG PEREGO SpA et sont protégés par la loi.*



**FINA1602I220**  
**29-03-2016**